

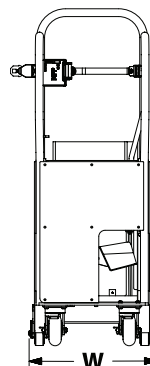
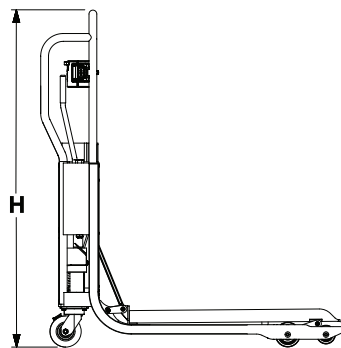
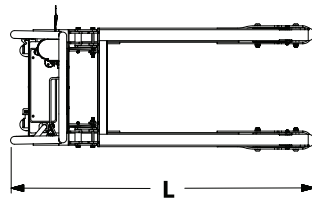
# Fusion® GS Agile Sled



## Specifications

- Corrosion-resistant aluminum construction
- Robust serviceable components
- Eliminates need to unload pallets in the trailer
- Hydraulic Foot Pump Lift System
- Heavy duty 5" casters for maximum durability
- Non-marking wheel tread designed to avoid damaging or marking store floors
- 4" load wheels for navigating over doorway thresholds
- 3" front wheels for tip prevention and navigating over large thresholds
- Retracting seatbelt for securing the load
- Optimized footprint for in-store merchandising and cooler loading
- Ergonomic Handle Bars
- Integrated Pallet Hook and Ramp mounts
- Accessory Tray for auxiliary delivery equipment
- Compatible with Fusion GS pallet
- Customized Color and Branding Available to Promote Brand Equity

Specifications	IN/LB	MM/KG
Length (L)	48	1219
Width (W)	20.25	514.35
Height (H)	54	1372
Weight	115	52
Load Rating	1000	454



**Corporate Headquarters**  
4010 East 26th St., Los Angeles, CA 90058  
(800) 421-6244 • (323) 262-5145

**Locations**  
Los Angeles, CA • Orlando, FL • Atlanta, GA • De Soto, KS  
Erie, PA • Dallas, TX • Kenosha, WI • Quebec, Canada  
Querétaro, Qro., Mexico

**Web:** [www.rehrigpacific.com](http://www.rehrigpacific.com)



A FAMILY TRADITION OF GROWTH, SERVICE AND INNOVATION